

BODY ARMOR

BY TOLAR MFG. CO., INC.

WINCH PLATE INSTALLATION INSTRUCTIONS

JEEP WRANGLER TJ* 1997 TO 2006
JEEP WRANGLER YJ 1987-1996



Extreme trailgear
for the serious
offroader!

www.bodyarmor4x4.com

* = Includes Unlimited Models

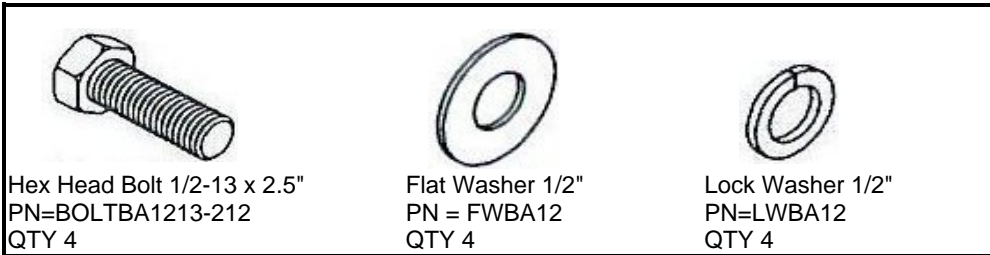
Check out our website for the latest in Body Armor gear, tech bulletins, and our new vehicle photo gallery.

Rev. 02/2007

Hardware & Photos - Wrangler TJ, Rubicon, Rubicon Unlimited & Wrangler YJ

DO NOT INSTALL THIS PRODUCT ON ANY VEHICLE OTHER THAN JEEP TJ* & YJ MODELS.

Body Armor designed this product to give you years of dependability and performance. If you encounter any problems during installation of this product, or at any later date, please contact your authorized Body Armor dealer, or call 951-808-0750 for our customer service department, or check our website for tech bulletins regarding your year and model vehicle. Our hours are Monday thru Thursday 7AM-4:30PM and Friday 8AM-12PM, Pacific Time.



1 pair "D"-rings included with every front and rear bumper, and every rear bumper with Swing-A-Way (also available separately) Part # 3202 = (1) pair



Above photo reflects winch plate mounting - Driver side TJ*



Above photo reflects winch plate mounting - Passenger side TJ*



Above photo reflects front installation detail with Warn's new 9.0RC, 9,000lb rockcrawler winch and billet fairlead.

Important: Before beginning installation, assure that all parts and hardware listed for your specific bumper are contained in this package. Please contact us immediately should there be any shortages in parts and/or hardware.

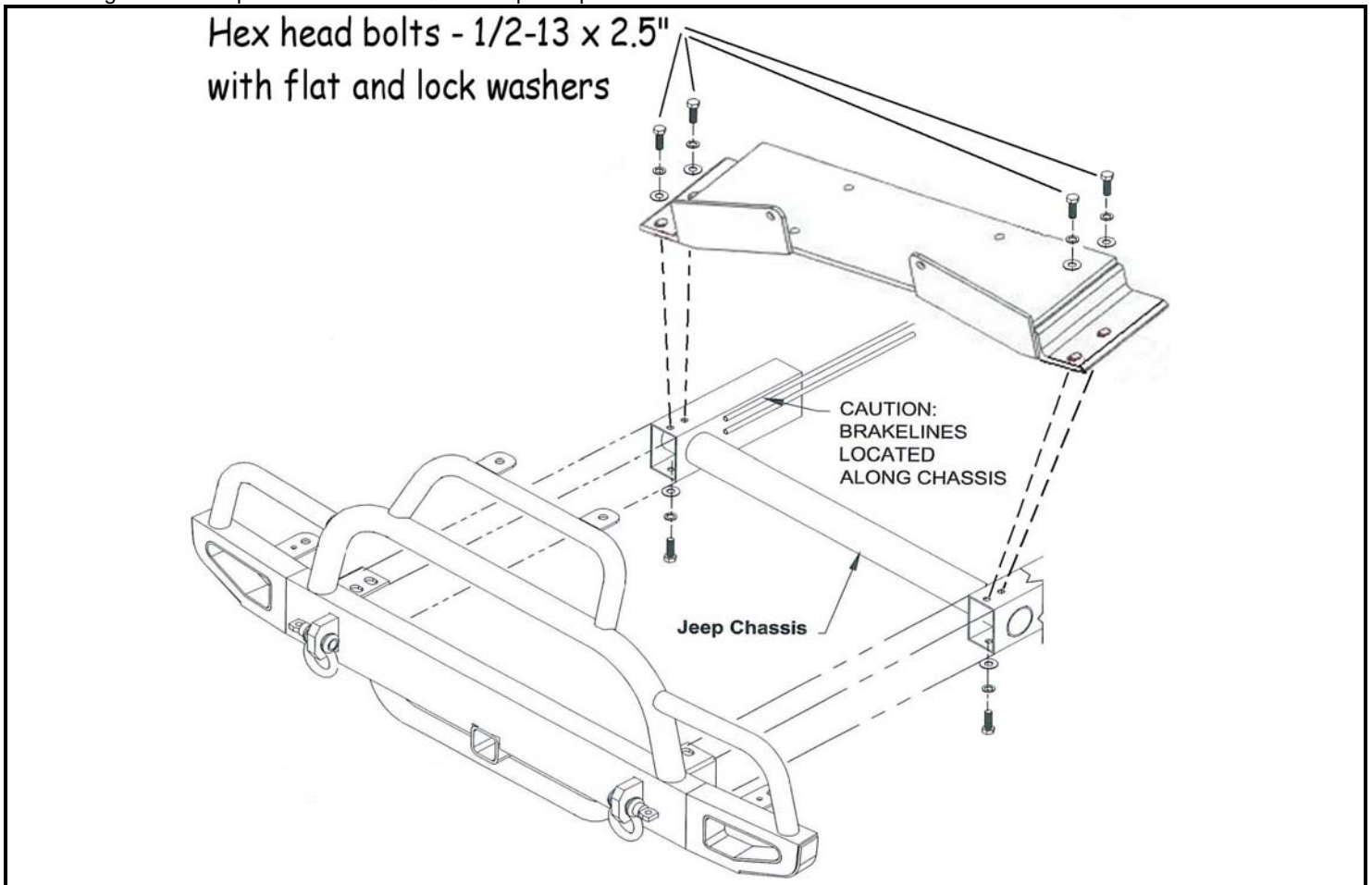
* = Includes Unlimited

Winch Plate Installation - Jeep Wrangler TJ* & YJ

- Step 1
- Unpack plate using staple puller to remove staples. Save all packing materials and take care not to tear cartons.
 - Remove hardware and misc.parts. Check parts / hardware list & confirm all parts and necessary hardware are included.
 - It's a good idea to spray all OE attaching hardware with penetrating oil before beginning removal of bolts. This will ease removal as well as help assure that none of the bolts/nuts' threads are damaged during removal.
- Step 2
- Using appropriate tools, remove the top bumper bolts, as well as lights, tow-hooks, etc., saving all OE hardware. Our installation kit contains longer grade 5 bolts with necessary attaching hardware. These need to be used in place of the existing bolts
- Step 3
- With your Body Armor bumper in place, with only the lower bolts installed, place the winch plate over the mounting brackets of the bumper and frame-rails. Install the supplied bolts and washers in place of the existing bolts. Hand tighten at this time.
- Step 4
- Confirm that bumper and winch plate are even side-to-side, as well as front-to-back. Torque to 75 to 80 ft.lbs.
 - Install your roller, hawse, or rock-crawler fairlead and tighten bolts to 75 ft.lbs.
 - Install and wire your winch per winch manufacturer's instructions.

We recommend you check the torque of all bolts after about two weeks, and after every off-road / trail run thereafter to assure tightness

Below diagram reflects part # xx-19431 - "Quad Hoop Bumper"



Towbar Adaptor Brackets
Sold Separately
Part # 3200 - vertical pin



License Plate Bracket
Sold Separately
Part # 5121



Towbar Adaptor Brackets
Sold Separately
Part # 3210 - horizontal pin

* = Includes Unlimited

Check out our website for the latest in Body Armor gear, tech bulletins, and our new vehicle photo gallery