

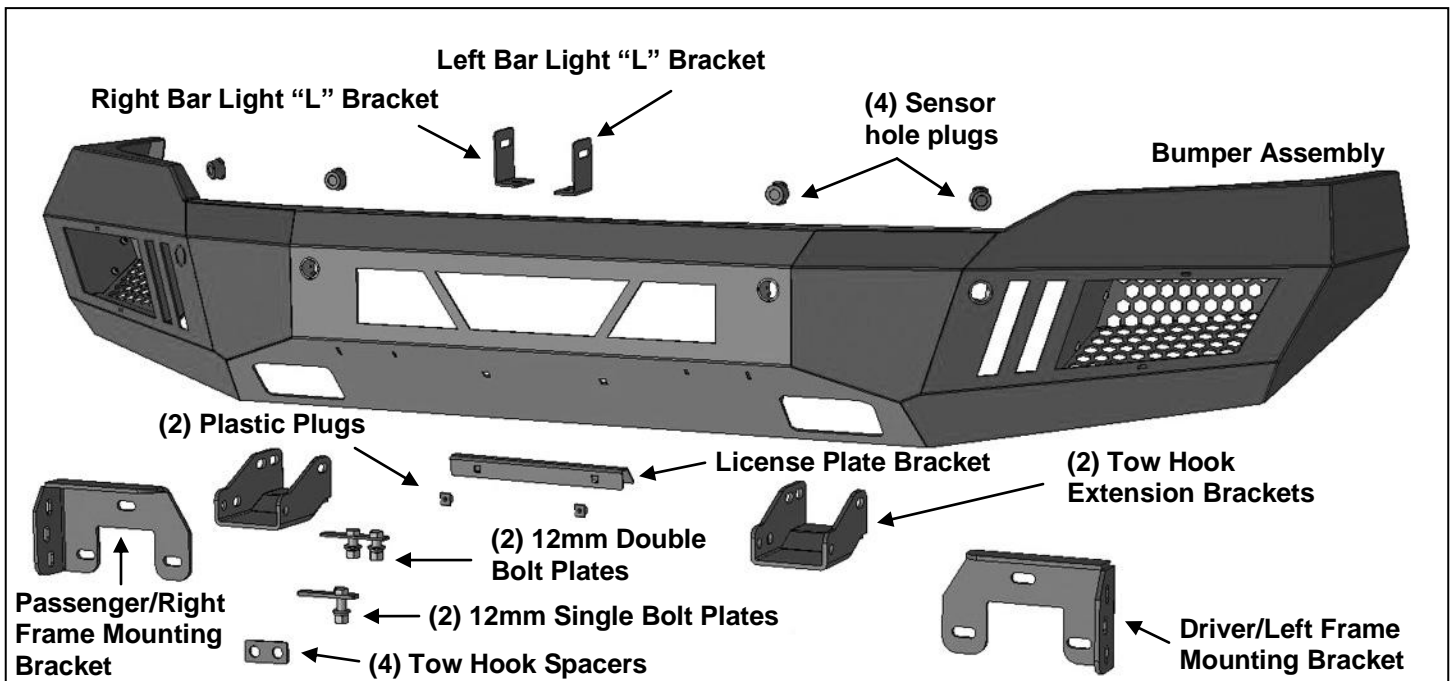
BODY ARMOR 4x4

**ECO-SERIES FRONT BUMPER
FOR GM SIERRA 1500 14-15
#GM-19337**

Body Armor 4x4
272 Corporate Terrace St.
Corona, CA 92879
951-808-0750
Customer Service hours:
M-TH: 7:30am to 4:30 PM Pacific Time
Friday: 8 AM – Noon Pacific Time

PARTS LIST:

1	LD1 Front Bumper Assembly	6	10-1.5mm x 35mm Hex Bolts
1	Driver/left Frame Mounting Bracket	12	10mm x 27mm OD x 3mm Flat Washers
1	Passenger/right Frame Mounting Bracket	6	10mm Lock Washers
2	Tow Hook Extension Brackets	6	10mm Hex Nuts
4	Spacers (tow hooks)	2	8mm x 16mm Hex Bolts
1	License Plate Bracket	2	8mm x 25mm Hex Bolts
2	Plastic Plugs for License Plate	2	8mm Hex Nut
4	Sensor Plugs	4	8mm Lock Washer
1	Driver/left "L" Bracket (center LED light)	6	8mm x 24mm x 2mm Flat Washers
1	Passenger/right "L" Bracket (center LED light)	2	6mm x 20mm Button Head Bolts
2	12mm x 30mm Double Bolt Plates	4	6mm x 18mm x 1.6 Flat Washers
2	12mm x 35mm Single Bolt Plates	2	6mm Nylon Lock Nuts
6	12mm x 32mm OD x 3mm Flat Washers	1	6mm Wrench
6	12mm Lock Washers	8	4mm x 10mm Socket Head Screws
6	12mm Hex Nuts	1	4mm Wrench
		10	Nylon Wire Ties



PROCEDURE:

REMOVE CONTENTS FROM BOX. VERIFY ALL PARTS ARE PRESENT. READ INSTRUCTIONS CAREFULLY BEFORE STARTING INSTALLATION. ASSISTANCE IS HIGHLY RECOMMENDED TO AVOID POSSIBLE INJURY OR DAMAGE TO THE VEHICLE.

1. Remove the license plate and bracket. On models with factory fog lights and/or bumper sensors, unplug the wiring harness leading to the bumper. Move harness away from bumper.
2. Next, locate and remove the screws attaching the ends of the plastic body panel, (fascia), to the fenders, **(Figure 1)**. **NOTE:** Fascia body panel fills the area between the headlights and the top of the bumper and must be removed to access the top bumper bracket bolts. From behind the bumper, release the clips attaching the fascia panel to the bottom of the grille and remove the panel, **(Figure 2)**.
3. From behind the bumper, remove the outer bumper supports on each side of the frame.
4. Place blocks or jack stands under the front bumper to support it during mounting bolt removal. Once the bumper has been safely supported, remove the bumper bolts attaching the bumper assembly to the frame bracket bolted to the end of the frame, **(Figure 3)**. **WARNING!** Assistance is required to hold the

bumper in place during bolt removal to prevent the bumper from falling. Carefully slide the bumper assembly with brackets off of the ends of the frame.

5. Once bumper has been removed, reinstall the plastic fascia cover removed in **Step 2**.
6. Remove both bumper brackets and tow hooks, (if equipped), from the ends of the frame, (**Figure 3**).
7. Select the passenger/right Frame Bracket. Reuse the (3) factory bumper bolts to attach the Frame Bracket to the threaded bumper mount, (**Figure 4**). Do not fully tighten hardware at this time.
8. Repeat **Step 7** to install the driver/left side Frame Bracket.

Models without tow hooks, skip ahead to Step 12.

Models with tow hooks, follow, Steps 9—11

9. Models with tow hooks, select (1) Single Bolt Plate and (1) Double Bolt Plate, (**Figure 5**). Select (1) Tow Hook Extension Bracket, (**Figure 7**). Slide the Bracket over the end of the frame. Line up the slots in the Bracket with the factory tow hook mounting holes. Insert the Bolt Plates into the open end of the passenger/right side of the frame. Secure the Bracket to the Bolt Plates with (3) 12mm Flat Washers, (3) 12mm Lock Washers and (3) 12mm Hex Nuts, (**Figures 4, 6 & 7**). Do not fully tighten at this time.
10. Select (1) tow hook. Place the tow hook on top of the Extension Bracket. Slide (1) Spacer Plate between each side of the tow hook and the Bracket. Reuse the factory hardware to attach the tow hook to the Extension Bracket, (**Figure 7**). Fully tighten tow hook and Extension Bracket hardware only. Do not tighten Frame Bracket hardware at this time.
11. Repeat **Steps 9 & 10** to install the driver/left side Extension Bracket and tow hook.
12. With assistance, position the Bumper Assembly up to and over the Frame Brackets. Temporarily support the weight of the Bumper. **WARNING:** To avoid possible injury or damage to the vehicle, do not proceed until the Bumper is fully and safely supported.
13. Line up the (3) holes in the passenger/right side mounting plate on the back of the Bumper with the (3) slots in the Frame Bracket. Attach the Bumper to the Bracket with the included (3) 10mm x 35mm Hex Bolts, (6) 10mm Flat Washers, (3) 10mm Lock Washers and (3) 10mm Hex Nuts, (**Figures 8 & 9**). Do not fully tighten hardware at this time. Repeat this **Step** to attach the driver/left side of the Bumper to the Frame Bracket.
14. Level and adjust the bumper and fully tighten all hardware.

Models without bumper sensors:

- a. Select the included (4) Rubber Plugs.
- b. From behind bumper, push plugs into sensor mounting holes, (**Figure 10**).

Models with bumper mounted sensors:

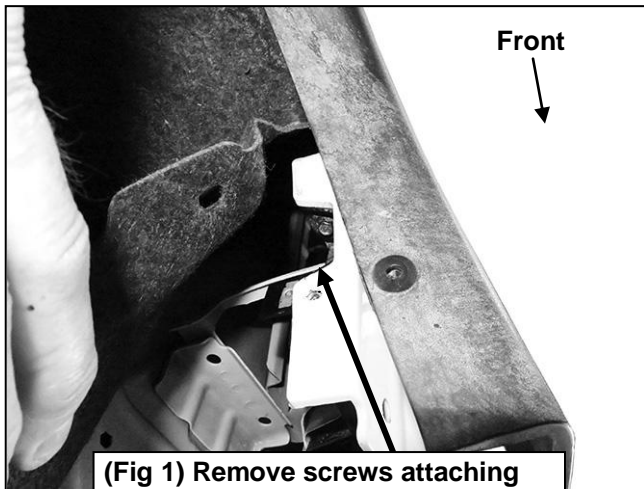
- a. Push the sensor into the mounting socket in the back of the bumper.
 - b. Secure each sensor to the socket with (2) 4mm x 10mm Button Head Screws, (**Figure 10**).
IMPORTANT: Sensors fit snug in sockets. The 4mm Screws are used to apply slight pressure to lock the sensors in place. Tighten both screws evenly until they touch the sensor body only. Do not overtighten screws or damage to sensors will result.
15. If front license plate is required, attach the License Plate Bracket to the holes in the bumper with the included (2) 6mm x 20mm Button Head Screws, (4) 6mm Flat Washers and (2) 6mm Nylon Lock Nuts. Insert (2) Plastic Plugs into the square holes in the Bracket. Reuse the factory screws to attach the license plate to the plastic plugs, (**Figure 11**).
 16. **Center LED light installation** (sold separately).
 - a. Select the L/R “L” Brackets, (**Figure 12**). Attach the Brackets to the top of the (2) mounting tabs welded onto the back of the bumper with the included 8mm x 25mm Hex Bolts, (4) 8mm Flat Washers, (2) 8mm Lock Washers and (2) 8mm Hex Nuts. Leave loose at this time.
 - b. Attach the LED light assembly to the “L” Brackets with the included (2) 8mm x 16mm Hex Bolts, (2) 8mm Lock Washers and (2) 8mm Flat Washers, (**Figure 12**). Do not fully tighten hardware at this time. **IMPORTANT:** “L” Brackets are designed for 8mm light mounting hardware only. Modify “L” Brackets if necessary or use brackets supplied by your light manufacturer if possible to install hardware larger than 8mm.
 - c. Follow light manufacturer’s instructions to properly wire the light.
 17. **LED light installation at ends of bumper** (sold separately).
 - a. Insert light into opening and up to mounting slots in the top of the passenger/right light opening.

**ECO-SERIES FRONT BUMPER
FOR GM SIERRA 1500 14-15**

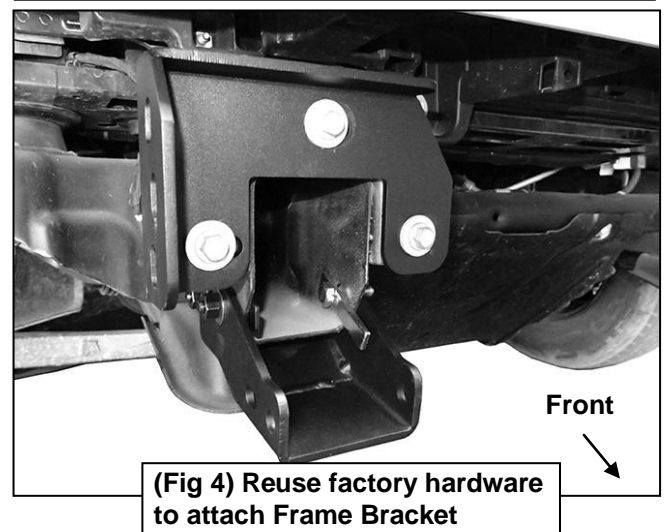
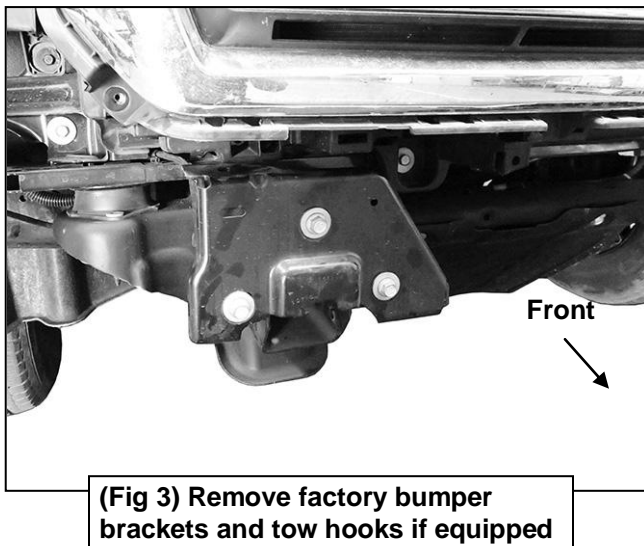
- b. Check for clearance between front and back of light. If necessary, remove the screen from the back of the opening, **(Figure 13)**.
 - c. Follow the light manufacturer's instructions to attach (1) light to the center slot or (2) lights to the inner and outer slots in the top of the light opening. **IMPORTANT:** On two light systems with (1) flood and (1) spot light per side, attach the flood light to the outer and the spot light to the inner slot.
 - d. Repeat the above steps for driver/left side light installation.
 - e. Follow light manufacturer's instructions to properly wire the light.
18. Do periodic inspections to the installation to make sure that all hardware is secure and tight.

To protect your investment, wax this product after installing. Regular waxing is recommended to add a protective layer over the finish. Do not use any type of polish or wax that may contain abrasives that could damage the finish. Mild soap may be used to clean the Front Bumper assembly.

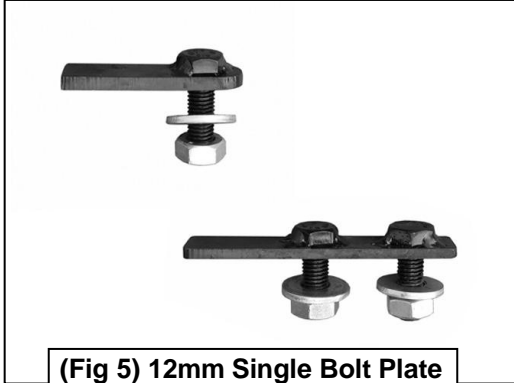
Passenger/Right Side Installation Pictured



WARNING! Do not crawl under bumper unless the bumper is properly supported on blocks or stands or the bumper may fall.



Passenger/Right Side Installation Pictured



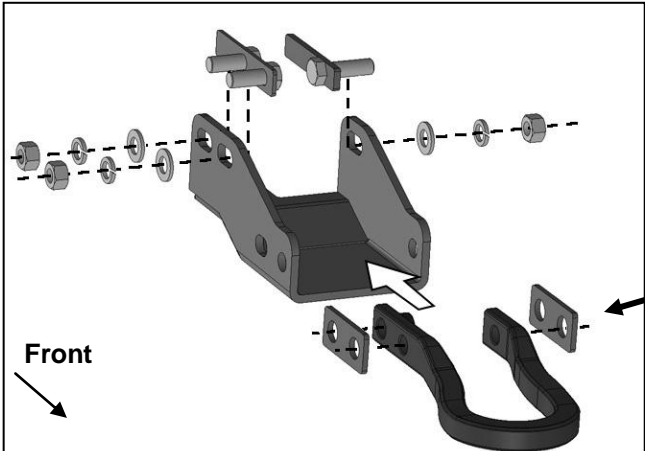
(Fig 5) 12mm Single Bolt Plate and 12mm Double Bolt Plate

- Double Bolt Plate
- (2) 12mm Flat Washers
- (2) 12mm Lock Washers
- (2) 12mm Hex Nuts

- Single Bolt Plate
- 12mm Flat Washer
- 12mm Lock Washer
- 12mm Hex Nut



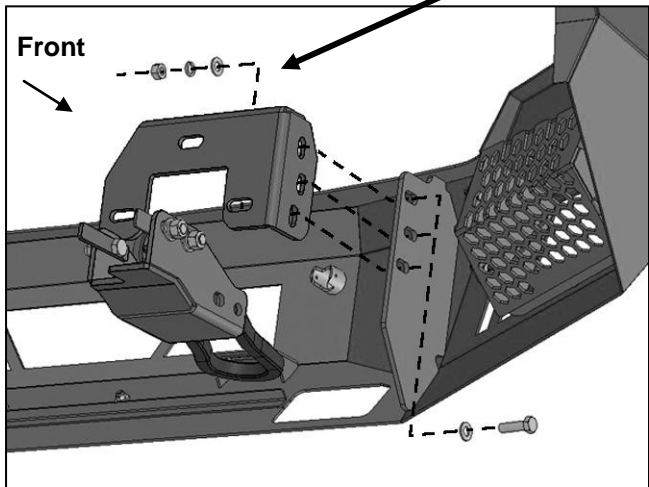
(Fig 6) Attach Tow Hook Extension Bracket to bottom of frame



(Fig 7) Slide Spacer between each side of tow hook. Attach tow hook to Bracket with factory hardware.

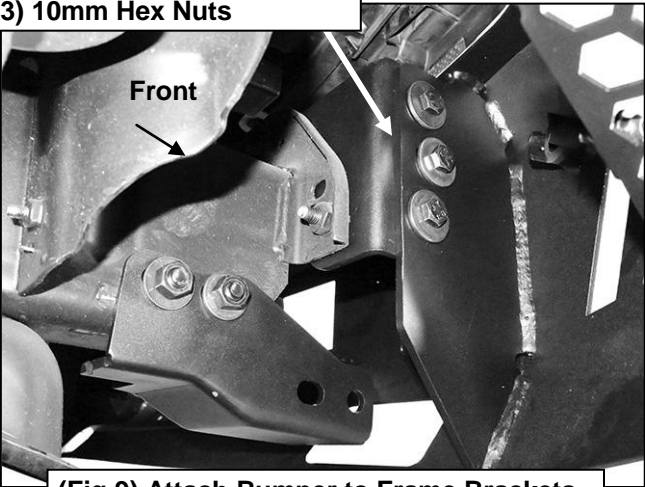
- Insert Spacer between sides of tow hook and Bracket

- (3) 10mm x 35mm Hex Bolts
- (6) 10mm Flat Washers
- (3) 10mm Lock Washers
- (3) 10mm Hex Nuts



(Fig 8) Attach the Bumper to Frame Bracket

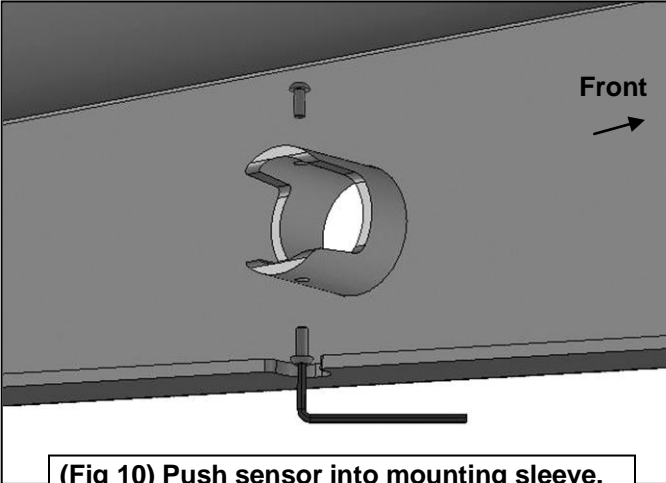
- (3) 10mm x 35mm Hex Bolts
- (6) 10mm Flat Washers
- (3) 10mm Lock Washers
- (3) 10mm Hex Nuts



(Fig 9) Attach Bumper to Frame Brackets

WARNING! Do not crawl under bumper unless the bumper is properly supported on blocks or stands or the bumper may fall.

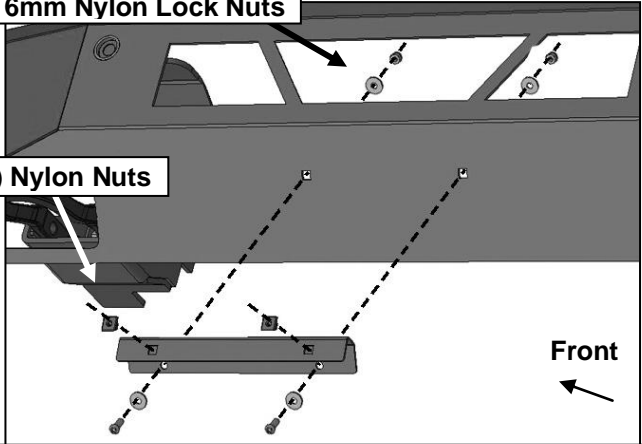
Passenger/Right Side Installation Pictured



(Fig 10) Push sensor into mounting sleeve. Use 4mm Screws to lock sensor in place.

IMPORTANT: Sensors fit snug in sockets. The 4mm Screws are only used to apply slight pressure to lock the sensors in place. Tighten both screws evenly until they touch the sensor body only. Do not overtighten screws or damage to sensors will result.

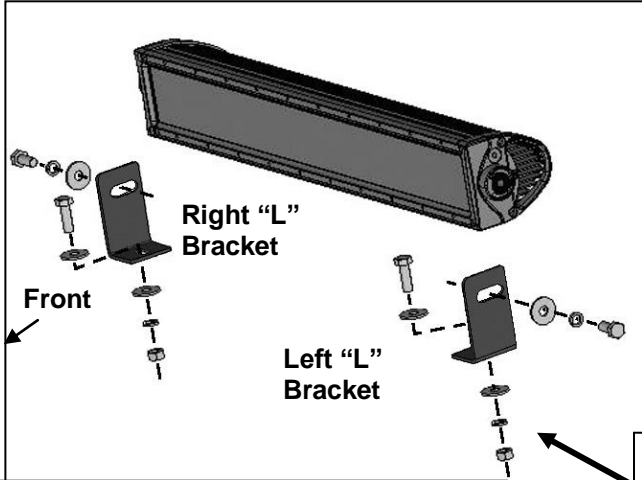
- (2) 6mm x 20mm Button Head Screws
- (4) 6mm Flat Washers
- (2) 6mm Nylon Lock Nuts



- (2) Nylon Nuts

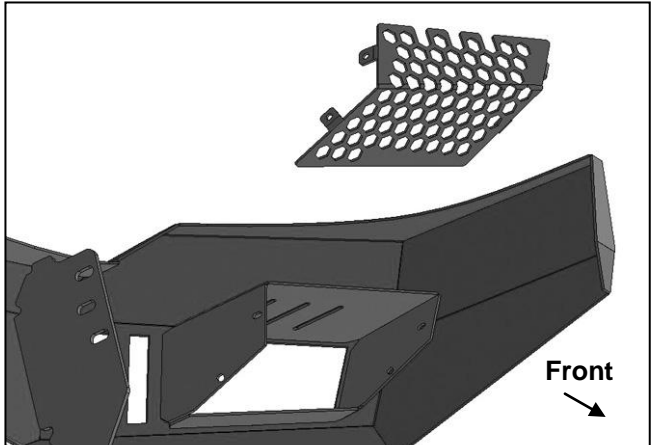
(Fig 11) Attach License Plate Bracket to Bumper

- (2) 8mm x 16mm Hex Bolts
- (2) 8mm Lock Washers
- (2) 8mm Flat Washers



(Fig 12) Typical center light installation

- (2) 8mm x 25mm Hex Bolts
- (4) 8mm Flat Washers
- (2) 8mm Lock Washers
- (2) 8mm Hex Nuts



(Fig 13) Remove screens if necessary for clearance/access to outer light mounts